

ELECTO SONIC



ELECTRONIC ULTRASONIC METER

ElecTo SONIC is the ultrasonic meter offering built-in data communication thanks to its innovative electronic register with multi-protocol radio communication facilities. It ensures excellent performance in all installation conditions and is insensitive to the chemical and physical characteristics of water. It is the ideal solution for Utility installations. Its wide 9-character LCD display (digits and symbols) makes it very easy to read, while providing additional information to both users and operators. ElecTo SONIC supports remote data reading with fixed and mobile system, while offering maximum interoperability.

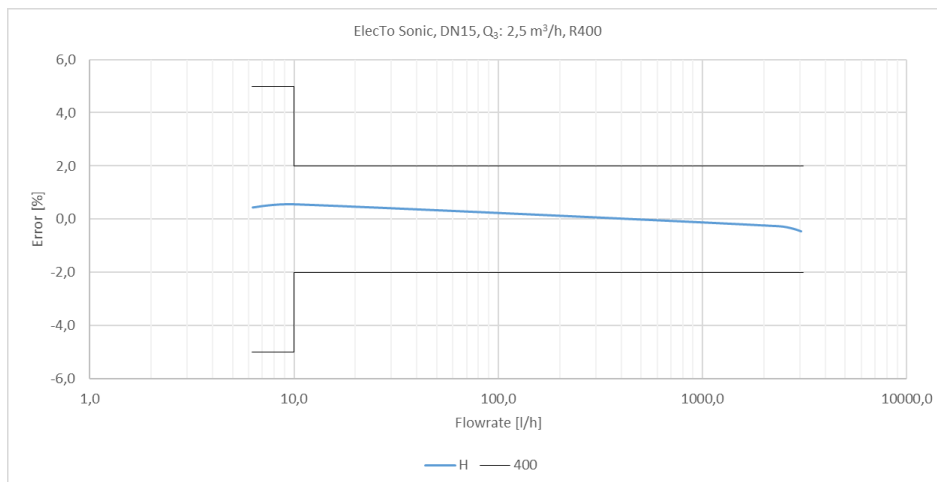
ELECTO SONIC

FEATURES

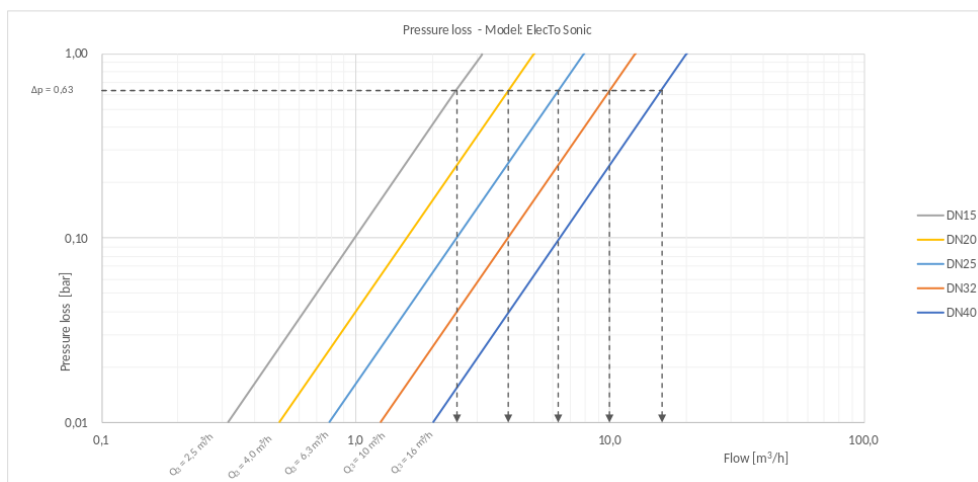
- Ultrasonic measuring technology
- DN: 15 to 40
- MID certificate: R MAX 800
- Health certifications available for a number of countries
- IP68 protection rating
- 9-character display (digits and symbols)
- Datalogging with a storage capacity of over 11,000 values
- Integrated wM-Bus, OMS and/or LoRaWAN radio
- Optimized antenna for maximum radio range
- Lithium battery with a minimum life of 16 years in dual mode (varies depending on the configuration chosen)
- Fault detection: low water temperature, low battery, empty line / air, overconsumption, no consumption, reversed meter, leakage, backflow and expiry of testing period
- Local NFC interface
- Programming and testing kit available upon request
- For further information on electronic register and radio transmission functions, please refer to the instruction manual



TYPICAL ERROR CURVE



HEAD LOSS DIAGRAM



METROLOGICAL PERFORMANCE

Size	mm	15	20	25	32	40
	in	½	¾	1	1 ¼	1 ½

Module B no. IT-041-22-2213

Module D no. 0119-SJ-A010-08

Q ₃ /Q ₁ = R Referred to installation position	Any ≤ 250	Any ≤ 400	Any ≤ 250	Any ≤ 400
--	-----------	-----------	-----------	-----------

MID standard performance *

Q ₃	m ³ /h	1,6	2,5	4,0	6,3	10	16
Q ₄	m ³ /h	2	3,13	5	7,88	12,50	20
R		250	400	250	400		
Q ₁	l/h	6,40	6,25	10	15,75	25	40
Q ₂	l/h	10,24	10	16	25,20	40	64

* Other values of R available upon request.

TECHNICAL DATA

Maximum permissible error between Q₁ and Q₂ (excluded) +/- 5%

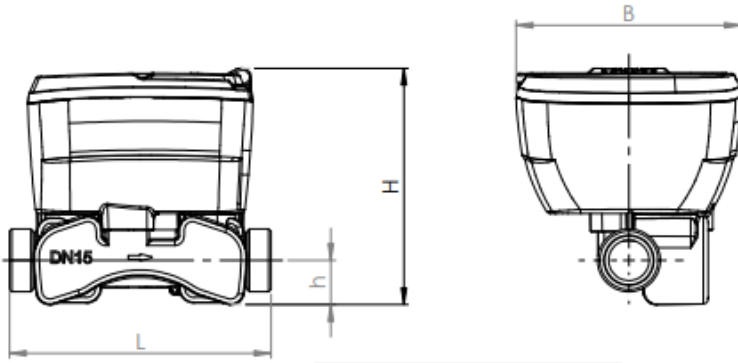
Maximum permissible error between Q₂ (included) and Q₄ +/- 2% with water temperature ≤ 30°C
+/- 3% with water temperature > 30°C

Temperature class T50

Flow profile sensitivity classes U0 - D0

Starting flow rate	l/h	3	5	7	12	25
Head loss		ΔP63				
Nominal pressure	bar	16				
Maximum reading	m ³	999.999				
Minimum reading	l	0,001				

DIMENSIONS



Size	mm	15	20	25	32	40
	in	½	¾	1	1 ¼	1 ½
Thread	in	G ¾ B G 1 B	G 1 B	G 1 ¼ B	G 1 ½ B	G 2 B
L	mm	110/115	130/190	260		300
H	mm	97	101	110	118	127
h	mm	19	21,5	25	29	34
B	mm	94				